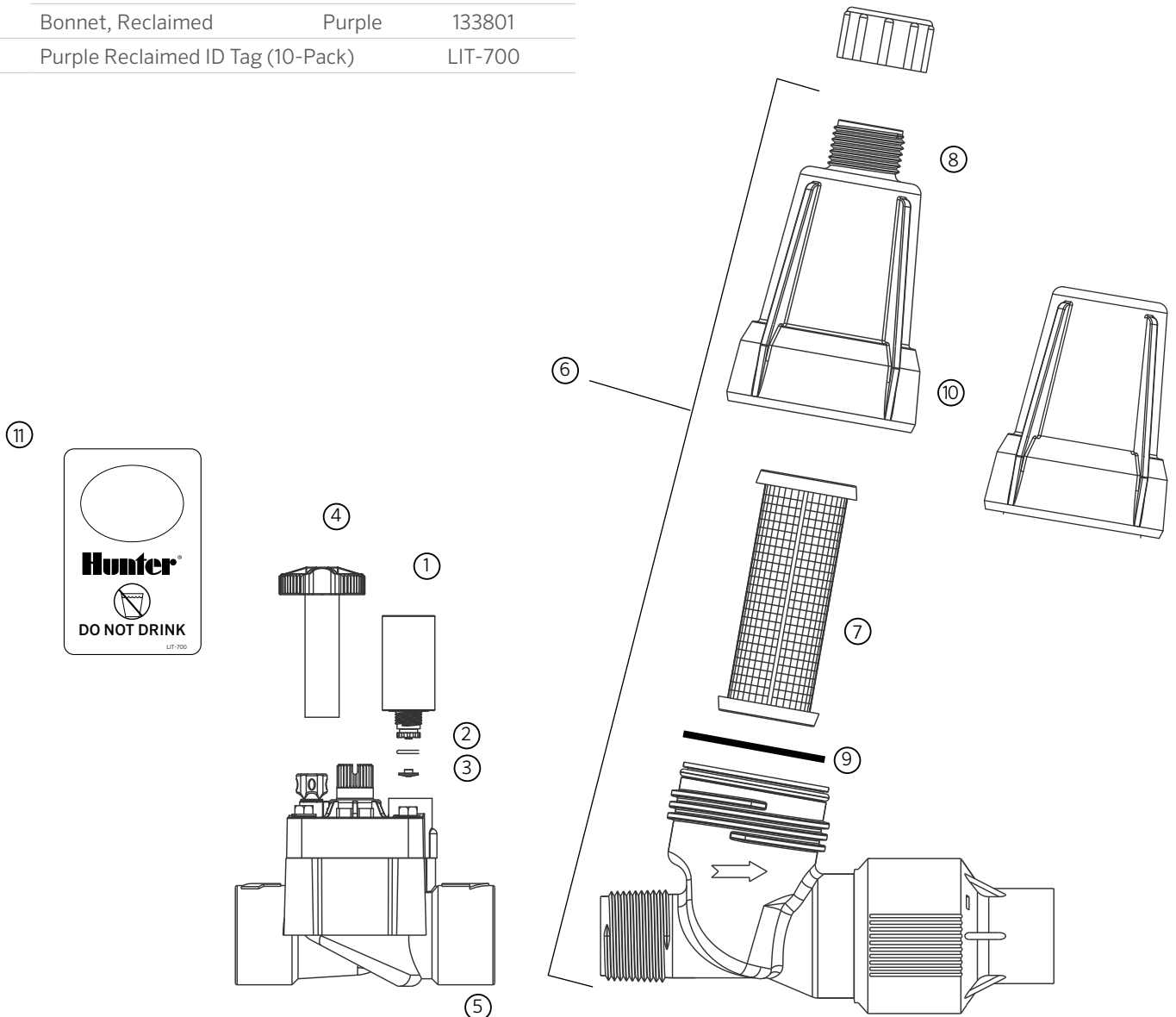


**PCZ-101: DRIP CONTROL ZONE KIT**

ITEM	DESCRIPTION	CATALOG NO.
1	Solenoid Assembly (Includes Parts 2 & 3)	AC Solenoid 606800
		DC Latching Solenoid 458200
2	O-Ring	262600
3	Solenoid Seal	364400
4	Handle Flow Control	269200
5	PGV-101G Valve	PGV101G
6	Filter/Regulator Assembly	HFR-100-075-25
		HFR-100-075-40
7	Stainless Steel Screen - 150 Mesh	809300SP
8	Flush Cap with O-Ring	651900
9	O-Ring for HFR-100-075	154900
10	Filter Bonnet (No Cap) Bonnet, Reclaimed	133800
		Purple 133801
11	Purple Reclaimed ID Tag (10-Pack)	LIT-700



**PCZ-101: DRIP CONTROL ZONE KIT (BEFORE JANUARY 2014)**

ITEM	DESCRIPTION		CATALOG NO.
1	Solenoid Assembly (Includes Parts 2 & 3)	AC Solenoid	606800
		DC Latching Solenoid	458200
2	O-Ring		262600
3	Solenoid Seal		364400
4	Handle Flow Control	Black	269200
5	PGV-101G Valve		PGV-101G
6	1" (25 mm) M x 3/4" (20 mm) M NPT Wye Filter Assembly		HY-100-075-XX (XX is 25 or 40 PSI; 1.7 or 2.8 bar; 170 or 280 kPa)
7	Stainless Steel Screen	150 Mesh	606200SP
8	Flush Cap with O-Ring		651900
9	O-Ring for HY-100		154900
10	Filter Bonnet (No Cap)	Black	133800

