

# ST-1600-KIT-B / ST-1600-HS-B

This all-in-one solution offers unmatched cleaning, cooling, and flushing capabilities to prepare synthetic sports fields for play.

## KEY BENEFITS

- Nozzle choices: 6
- Standard nozzle: 20
- Nozzle range: 16 to 26
- Nozzle trajectory: 25°
- Isolated, grease-lubricated gear drive
- Movable stops (left and right) arc adjustment
- Arc setting: 40° to non-reversing 360°
- Ratcheting nozzle turret
- Adjustable speed of rotation: 0 to 65 seconds (high-speed models, 180° at 8 bar; 800 kPa)

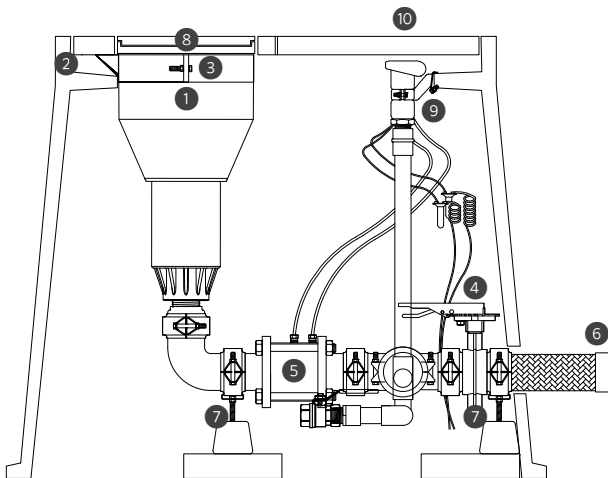
## OPERATING SPECIFICATIONS

- Radius: 32.5 to 50.3 m
- Flow: 21.8 to 74.2 m<sup>3</sup>/hr; 364 to 1,237 l/min
- Operating pressure range: 4 to 8 bar; 400 to 800 kPa
- Precipitation rate: 60 mm/hr approximately
- Warranty period: 5 years for component parts

## USER-INSTALLED OPTIONS

- Simulated concrete cover for attachment to the top of the flattened ISB (used with vault): P/N ST-FRP-1600
- ST approved adhesive for attaching artificial turf, track, or simulated concrete (ST-FRP-1600) to infill barrier system: P/N ST-ADH-K
- ST-1600 Short-Radius Nozzle Kit: P/N 959900
- Adapter, 50 mm slip x 50 mm male BSP: P/N 241400SP
- DC-Latching Solenoid Kit: P/N ST-LSA

## ST-1600-KIT-B



### ST-1600-HS-B (High-Speed)

Overall height: 57 cm  
Pop-up height: 13 cm  
Diameter: 36 cm  
Inlet size: 2" (50 mm) BSP\*

\* Use P/N 241400SP adapter to 2" (50 mm) PVC pipe if needed



### ST-1600 / ST-1700 Tool

P/N 517600SP  
For gear-drive installation and removal

## ST-1600-KIT-B COMPONENTS

Figure	Components	Qty	Description
1	ST-1600-HS-B	1	High-speed pop-up, adjustable arc (40°-360°), 50 mm BSP inlet
2	ST-243636-B	1	Composite vault
3	ST-BKT-1600	1	Rotor vault hanger and grade adjustment bracket for ST-1600-HS-B Rotor
4	ST-BVF30-K	1	Manifold butterfly valve and Victaulic® coupling fitting kit
5	ST-V30-KV	1	80 mm metal control valve, 80 mm grooved Victaulic inlet/outlet fitting, 91 cm remotely located solenoid and on-off-auto selector manifold
6	ST-H30-K	1	Stainless steel inlet hose 80 mm female NPT inlet
7	ST-SPT-K	2	Adjustable manifold support stand; two required per vault
8	ST-IBS-1600	1	Infill barrier system Rubber Cover Kit for ST-1600-HS-B Rotor
9	ST-BKT-QCV	1	Hanger bracket for HQ-5-RC-BSP Quick Coupler
10	HQ-5-RC-BSP	1	Quick Coupler, 25 mm BSP inlet, 32 mm outlet for key

Victaulic is a trademark of Victaulic Company.

### ST Infill Barrier System

#### ST-IBS-1600

Rubber Cover Kit with infill barrier system surface area.

### ST Adjustable Hanger Bracket

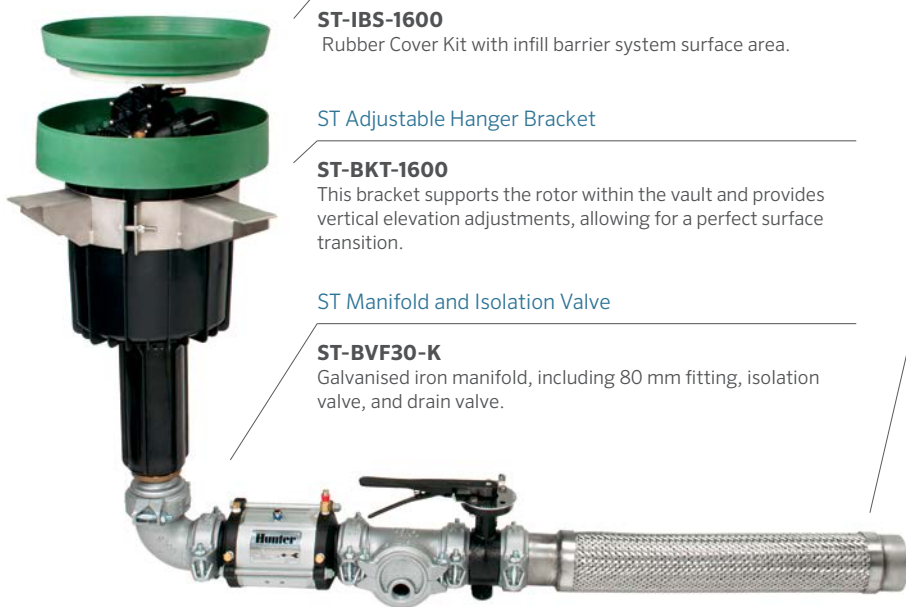
#### ST-BKT-1600

This bracket supports the rotor within the vault and provides vertical elevation adjustments, allowing for a perfect surface transition.

### ST Manifold and Isolation Valve

#### ST-BVF30-K

Galvanised iron manifold, including 80 mm fitting, isolation valve, and drain valve.



### ST H-Block Manifold Supports

#### ST-SPT-K

Adjustable support stands include a large footprint base made from recycled tire rubber and a 50 mm vertically adjustable support rail (two required under manifold).



### ST Flexible Stainless Steel Inlet Hose

#### ST-H30-K

80 mm ultra-flexible, corrugated, stainless steel hose with stainless steel support braiding.

### ST Heavy-Duty, Slow-Opening Valve

#### ST-V30-KV

80 mm ultra-low-pressure-loss valve (0.15 bar; 15 kPa at 65 m<sup>3</sup>/hr; 1,082 l/min). Includes on-off-auto selector and solenoid (not shown).

### ST-1600 NOZZLE PERFORMANCE DATA\*

Nozzle	Pressure		Radius m	Flow		Precip mm/hr	
	bar	kPa		m <sup>3</sup> /hr	l/min	■	▲
16 ● Black	4.0	400	32.5	21.8	364	41.4	47.8
	5.0	500	35.0	24.4	406	39.8	45.9
	6.0	600	37.0	26.8	446	39.1	45.1
	7.0	700	39.0	28.9	482	38.0	43.9
18 ● Black	4.0	400	34.0	24.3	405	42.0	48.6
	5.0	500	37.0	27.1	452	39.6	45.8
	6.0	600	39.0	29.8	496	39.1	45.2
	7.0	700	40.5	32.1	535	39.1	45.2
20 ● Black	4.0	400	35.0	32.7	545	53.4	61.7
	5.0	500	39.0	36.5	609	48.1	55.5
	6.0	600	43.0	40.1	668	43.4	50.1
	7.0	700	44.0	43.3	721	44.7	51.6
22 ● Black	4.0	400	36.0	38.9	649	60.1	69.4
	5.0	500	39.5	43.6	726	55.8	64.5
	6.0	600	44.0	47.7	795	49.3	56.9
	7.0	700	47.0	51.5	859	46.7	53.9
24 ● Black	4.0	400	37.0	45.9	765	67.1	77.4
	5.0	500	40.5	51.3	855	62.6	72.2
	6.0	600	45.0	56.2	937	55.5	64.1
	7.0	700	47.5	60.7	1,012	53.8	62.2
26 ● Black	4.0	400	38.4	53.0	883	71.8	82.9
	5.0	500	41.4	59.2	986	68.8	79.5
	6.0	600	46.0	64.6	1,077	61.0	70.4
	7.0	700	48.7	69.7	1,162	58.6	67.7
	8.0	800	50.3	74.2	1,237	58.7	67.8

Note:  
All precipitation rates are calculated for 180° operation.  
For the precipitation rate of a 360° sprinkler, divide by 2.  
\*All radius measurements are taken at standard rotation speeds. Slowing rotation to the minimum rotation speed will add 3+ m to the radius.

### SEAMLESS INTEGRATION

Blends in perfectly with the surrounding synthetic surface.



### ST VAULTS

The heavy-duty, tapered fibreglass and polymer-concrete construction includes precast holes for the rotor, quick-coupler valve, and remote manifold assembly.

Quick Couplers provide a convenient source of water for washing down spills and water-soluble paint. The integrated in-vault design eliminates the need for additional quick-coupler enclosures.

The ST-V30-KV Valve Kit includes a remotely located on-off-auto selector and solenoid manifold assembly. These convenient features bring valve manual control functions and solenoid splice connections closer to the surface for easy access.

**ST-243636-B:** includes 76 mm thick, 4-piece PC cover set

**Main cover:** 61 cm x 91 cm  
**Overall height:** 91 cm  
**Body weight:** 70 kg  
**Total weight:** 138 kg  
**Base pad:** 106 cm x 122 cm  
**Quick-access ports:** 2



① Quick Coupler ② On-Off-Auto Selector