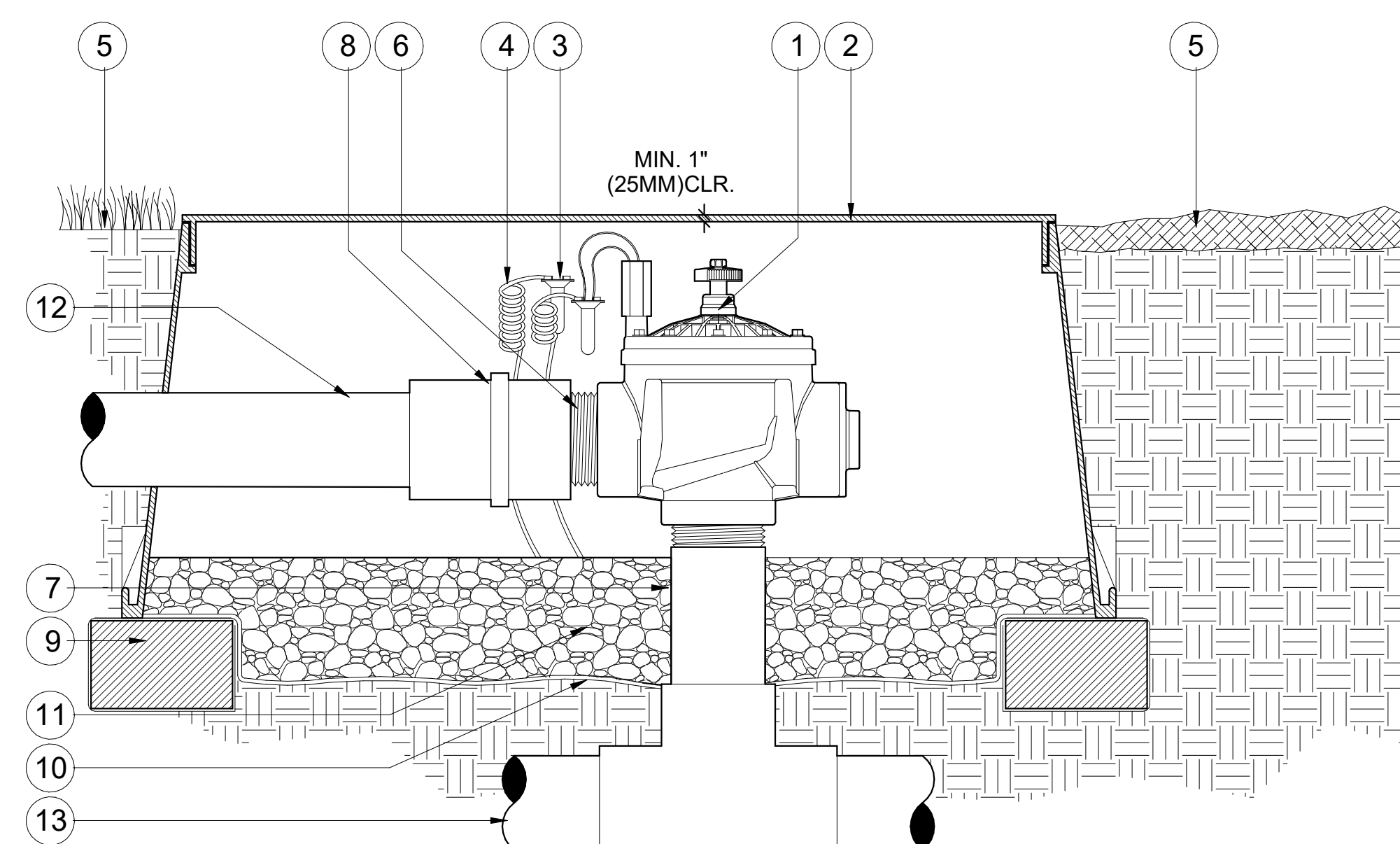


LEGEND

- | | |
|---|--|
| ① HUNTER REMOTE CONTROL VALVE (ICV) WITH FLOW CONTROL | ⑦ SCH. 80 NIPPLE, THREADED ONE END |
| ② IRRIGATION VALVE BOX: HEAT STAMP LID WITH 'RCV' IN 2" LETTERS | ⑧ PVC SLIP X FPT ADAPTOR |
| ③ WATERPROOF CONNECTORS (2) | ⑨ BRICK SUPPORTS (4) |
| ④ 18"-24" COILED WIRE TO CONTROLLER | ⑩ FILTER FABRIC - WRAP TWICE AROUND BRICK SUPPORTS |
| ⑤ FINISH GRADE AT ADJACENT SURFACE (TURF OR MULCH) | ⑪ 3/4" WASHED GRAVEL - 4" MIN. DEPTH |
| ⑥ SCH. 80 CLOSE NIPPLE, SIZE PER RCV | ⑫ IRRIGATION LATERAL |
| | ⑬ MAINLINE AND FITTINGS |

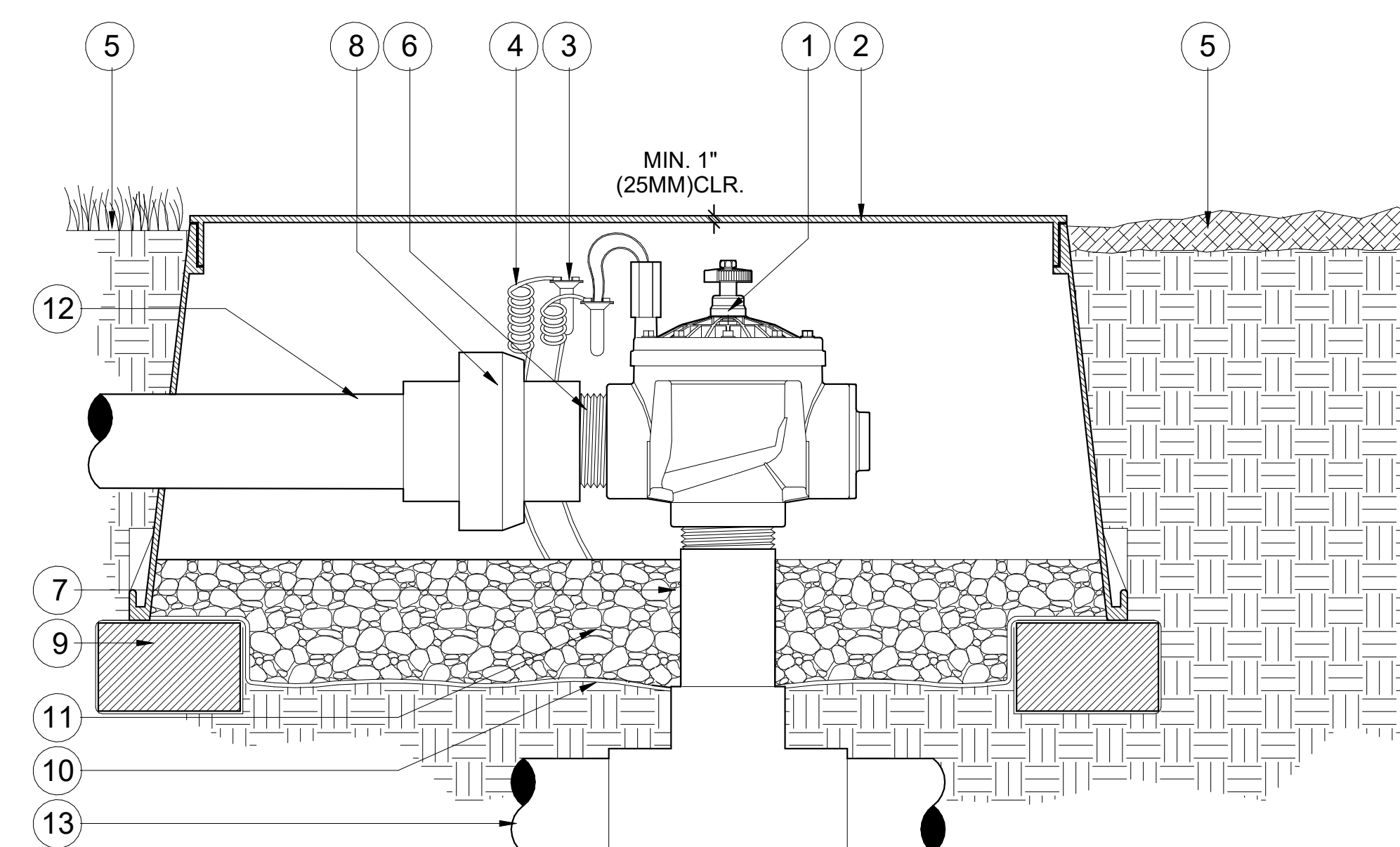


① V.ICV.17 IN LINE VALVE (ICV-301A)
1 : 5

Hunter

LEGEND

- | | |
|---|--|
| ① HUNTER REMOTE CONTROL VALVE (ICV) WITH FLOW CONTROL | ⑦ SCH. 80 NIPPLE, THREADED ONE END |
| ② IRRIGATION VALVE BOX: HEAT STAMP LID WITH 'RCV' IN 2" LETTERS | ⑧ PVC SLIP X FPT UNION |
| ③ WATERPROOF CONNECTORS (2) | ⑨ BRICK SUPPORTS (4) |
| ④ 18"-24" COILED WIRE TO CONTROLLER | ⑩ FILTER FABRIC - WRAP TWICE AROUND BRICK SUPPORTS |
| ⑤ FINISH GRADE AT ADJACENT SURFACE (TURF OR MULCH) | ⑪ 3/4" WASHED GRAVEL - 4" MIN. DEPTH |
| ⑥ SCH. 80 CLOSE NIPPLE, SIZE PER RCV | ⑫ IRRIGATION LATERAL |
| | ⑬ MAINLINE AND FITTINGS |



② V.ICV.18 IN-LINE VALVE (ICV-301A) WITH UNIONS
1 : 5

Hunter

No.	Description	Date

Hunter Industries

VALVES

ICV-301A

Project Number	ICV-301A
Date	07 June 2019
Drawn By	Hunter
Checked By	Hunter

ICV-301A

Scale 1 : 5