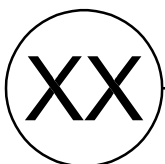
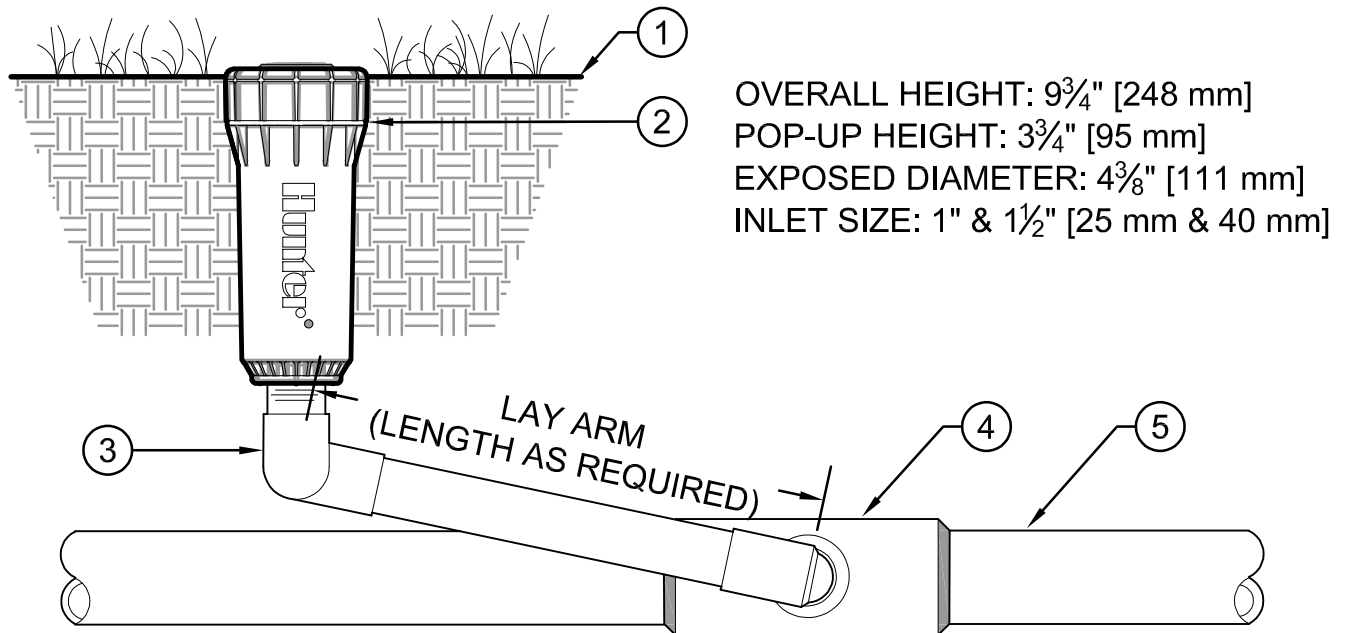


**DETAIL LEGEND:**

- ① FINISH GRADE
- ② I80-04-SS POP-UP, ADJUSTABLE ARC  
 I80-04-SS-ON POP-UP, OPPOSING NOZZLE FULL CIRCLE
- ③ SWING JOINT ASSEMBLY: HUNTER HSJ SERIES,  
 1" [25 mm] MODELS: HSJ-1-32-212 OR HSJ-1-65-212  
 1½" [40 mm] MODELS: HSJ-3-32-212 OR HSJ-3-65-212  
 (REFER TO HUNTER CATALOG FOR OPTIONS).  
 INSTALL AS FOLLOWS:
  - A. HAND TIGHTEN O-RING JOINTS, BACK-OFF ONE FULL TURN TO ALLOW FOR SWING ACTION.
  - B. INSTALL SWING JOINT LAY ARM AT 30°- 45° ANGLE TO THE LATERAL.
- ④ LATERAL TEE OR ELL CONNECTION PER LATERAL LINE FITTING SPECIFICATIONS.
- ⑤ LATERAL PIPE PER LATERAL LINE SPECIFICATIONS. SOIL DEPTH AS SPECIFIED.



**I-80 POP-UP ROTOR**