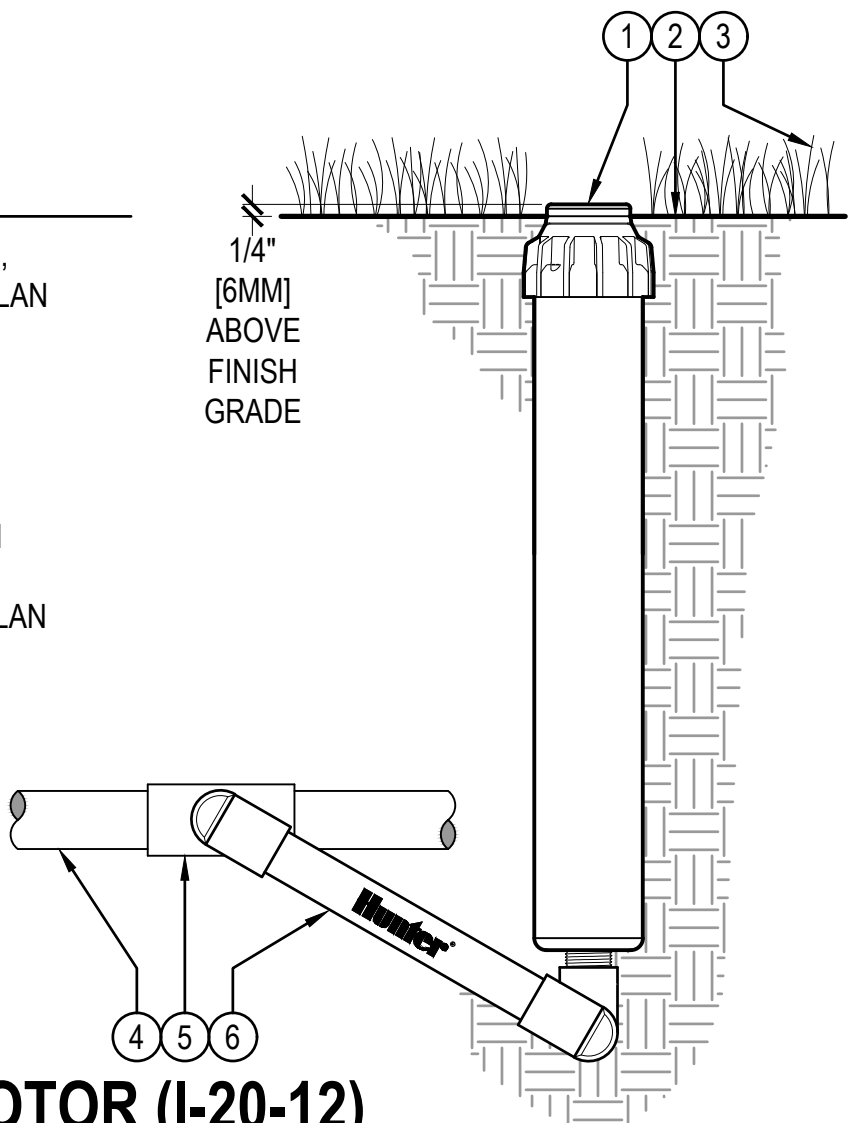


## LEGEND

- ① HUNTER ROTOR (I-20-12),  
NOZZLE AND CAP PER PLAN
- ② FINISHED GRADE
- ③ ADJACENT LANDSCAPE
- ④ LATERAL PIPE PER PLAN
- ⑤ LATERAL FITTING PER PLAN
- ⑥ PREMANUFACTURED  
SWING ARM (HUNTER  
HSJ OR PER PLAN)



## POP-UP ROTOR (I-20-12) WITH RIGID SWING ARM (HSJ)

